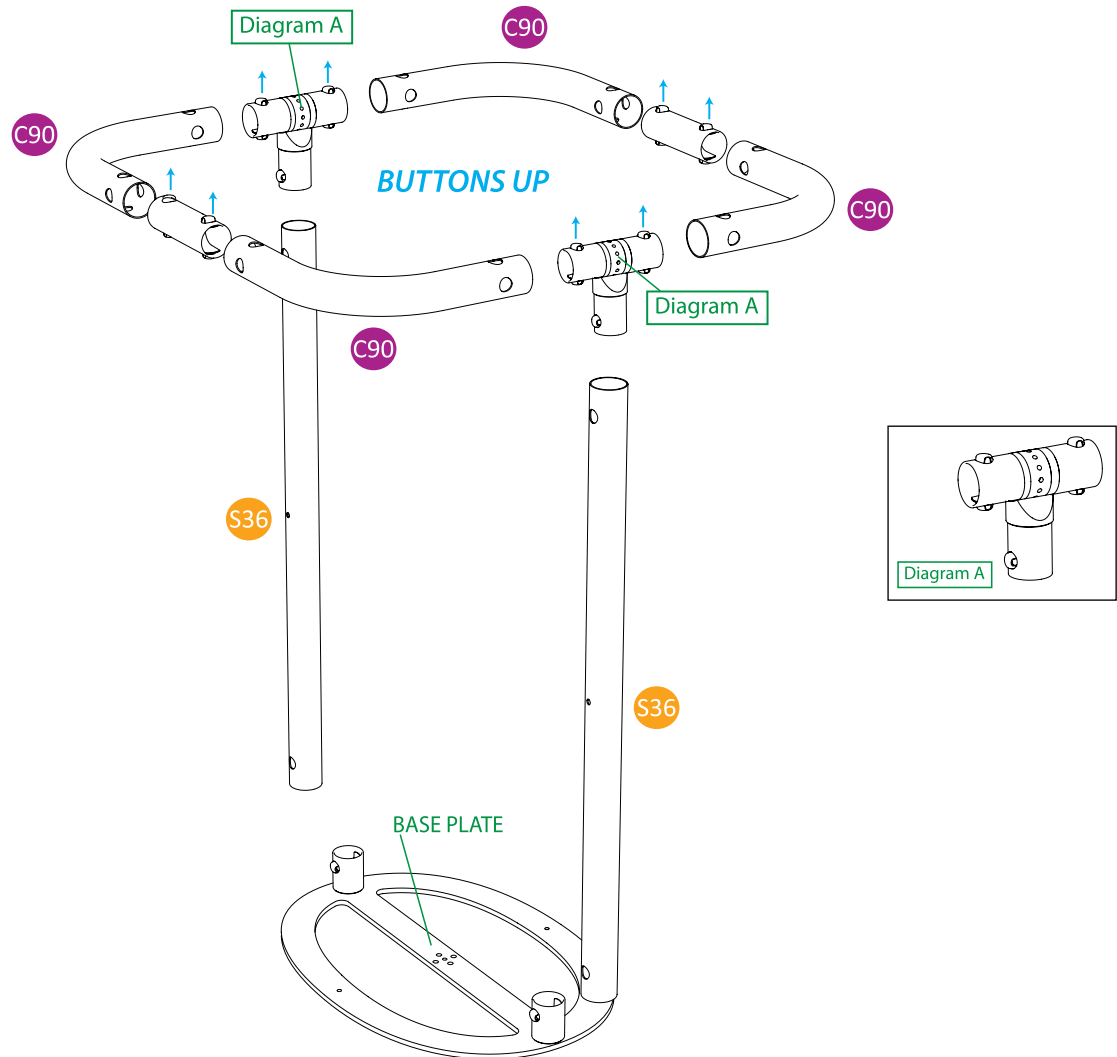
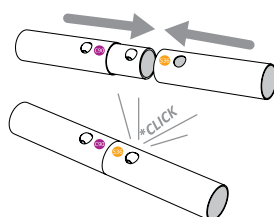
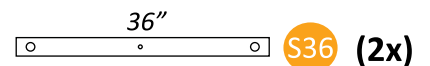


STEP 1. Layout all the parts on the floor. Count all the parts and begin to organize them in the shape they will attach together.

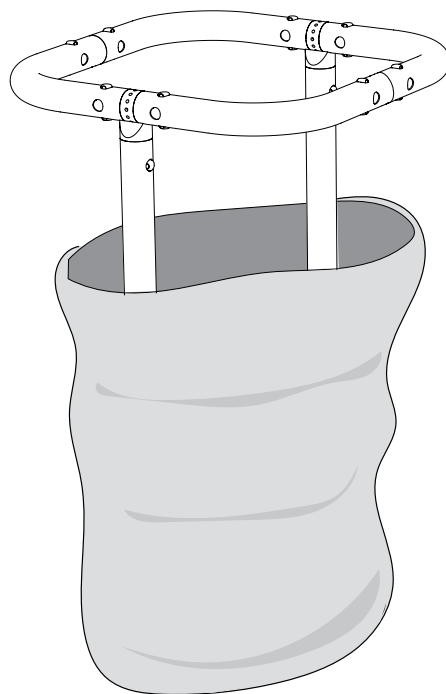
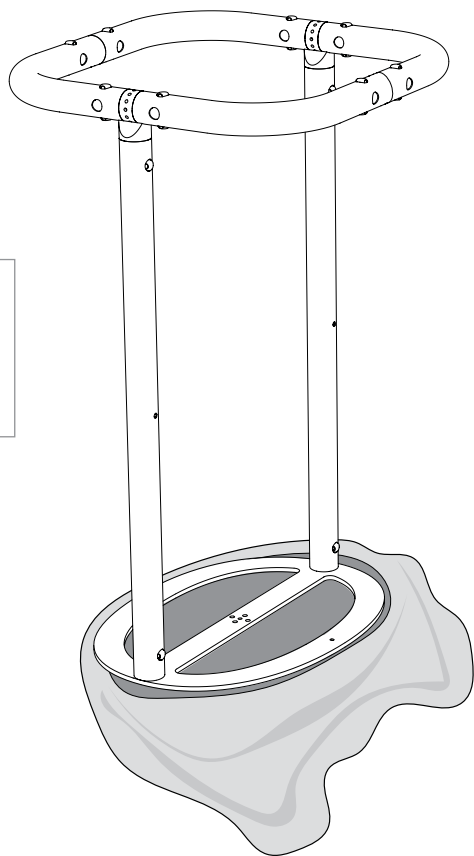


STEP 2. Snap together the top section with (4) C90 elbow pipes. Push the button with your thumb while sliding the tubes together. Twist as needed to click the button into the hole. Stickers are next to the correct button hole. Some buttons may already be inserted into one end of each tube. Note the Buttons are facing up on the top section. Next attach the (2) S36 upright sections to the top. Last attached the (2) S36 uprights to the Base Plate.

Parts Count:



STEP 3. Fit the base of the frame into the opening of the graphic. When the oval frame aligns with the oval fabric, begin pulling the graphic up to the top.



STEP 4. Pull the elastic graphic over the top of the frame. Slide the graphic as needed to straighten the front and back. Place the counter tops in position. The buttons will align with the holes in the counter tops. The split will run from side to side.

