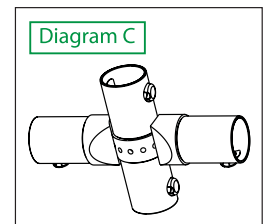
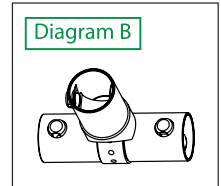
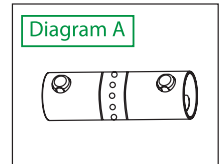
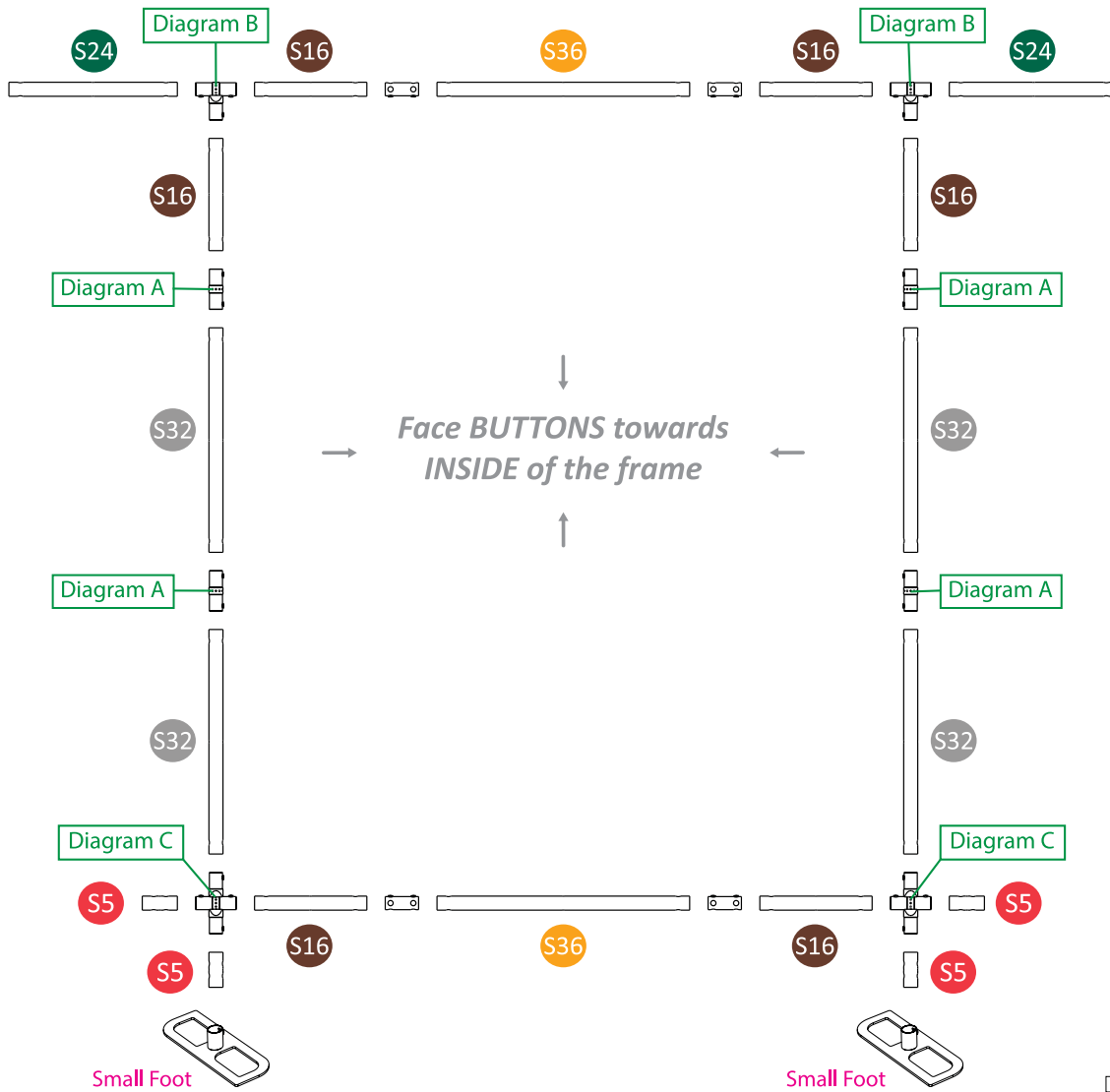
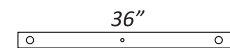
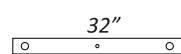
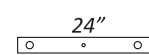
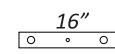
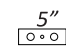


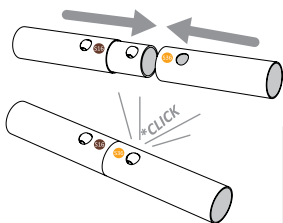
STEP 1. Layout all the parts on the floor in this form. Assembly will be done flat on the floor, not standing up. The bottom feet will be attached after the graphic is installed.



Parts Count:

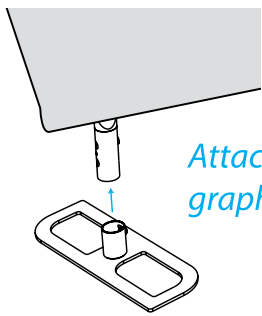
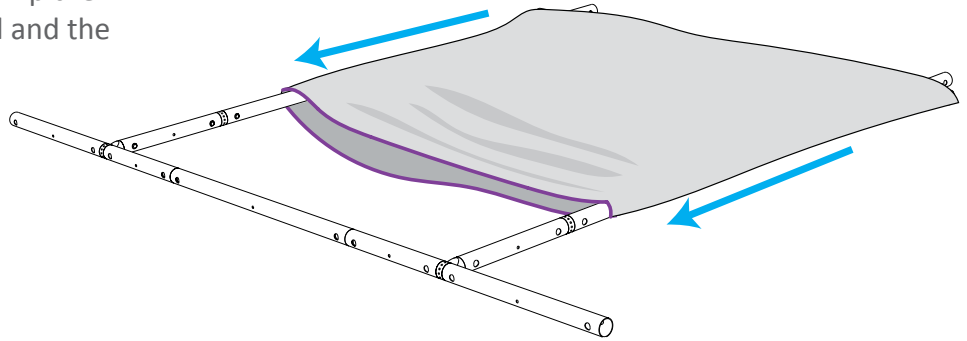
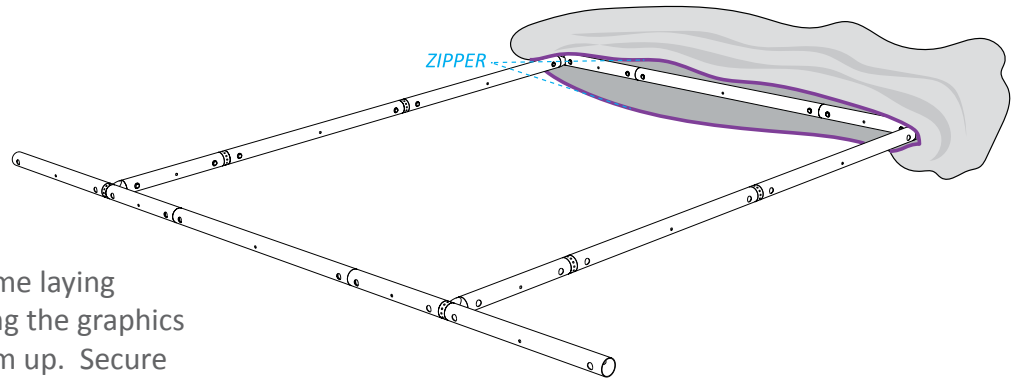
-  S36 (2x)
-  S32 (4x)
-  S24 (2x)
-  S16 (6x)
-  S5 (4x)
- Diagram A (4x)
- Diagram B (2x)
- Diagram C (2x)
- Small Foot (2x)

STEP 2. Push the button with your thumb while sliding the tubes together. Twist as needed to click the button into the hole. Some buttons may already be inserted into one end of each tube. Face all buttons towards the inside of the frame. Stickers are next to the correct button hole.

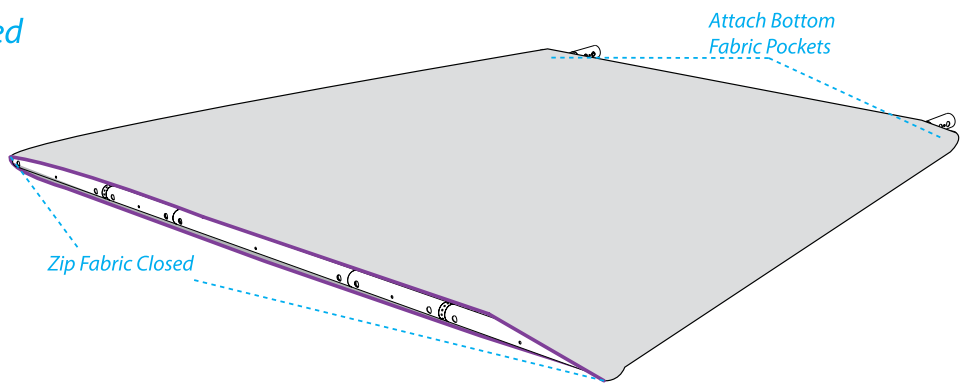




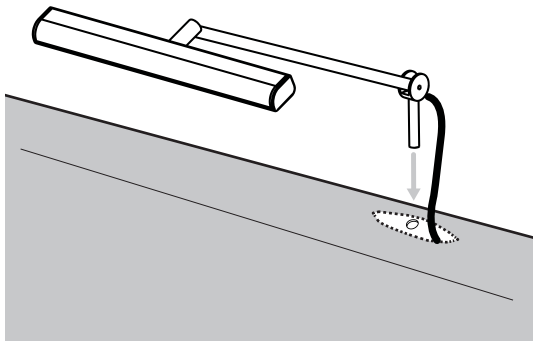
STEP 3. With the completed frame laying down on the floor, begin installing the graphics sliding the fabric from the bottom up. Secure the bottom pocket to the frame, and zip the top closed. The feet can be attached and the display can be stood upright.



Attach Feet after graphic is installed



STEP 4. The display is ready to stand up. There are openings sewn at the top for installing lights. The electrical cords can be run inside of the graphics and out the bottom. Fit the light peg into the hole on top of the tube.



ASSEMBLED VIEW:

