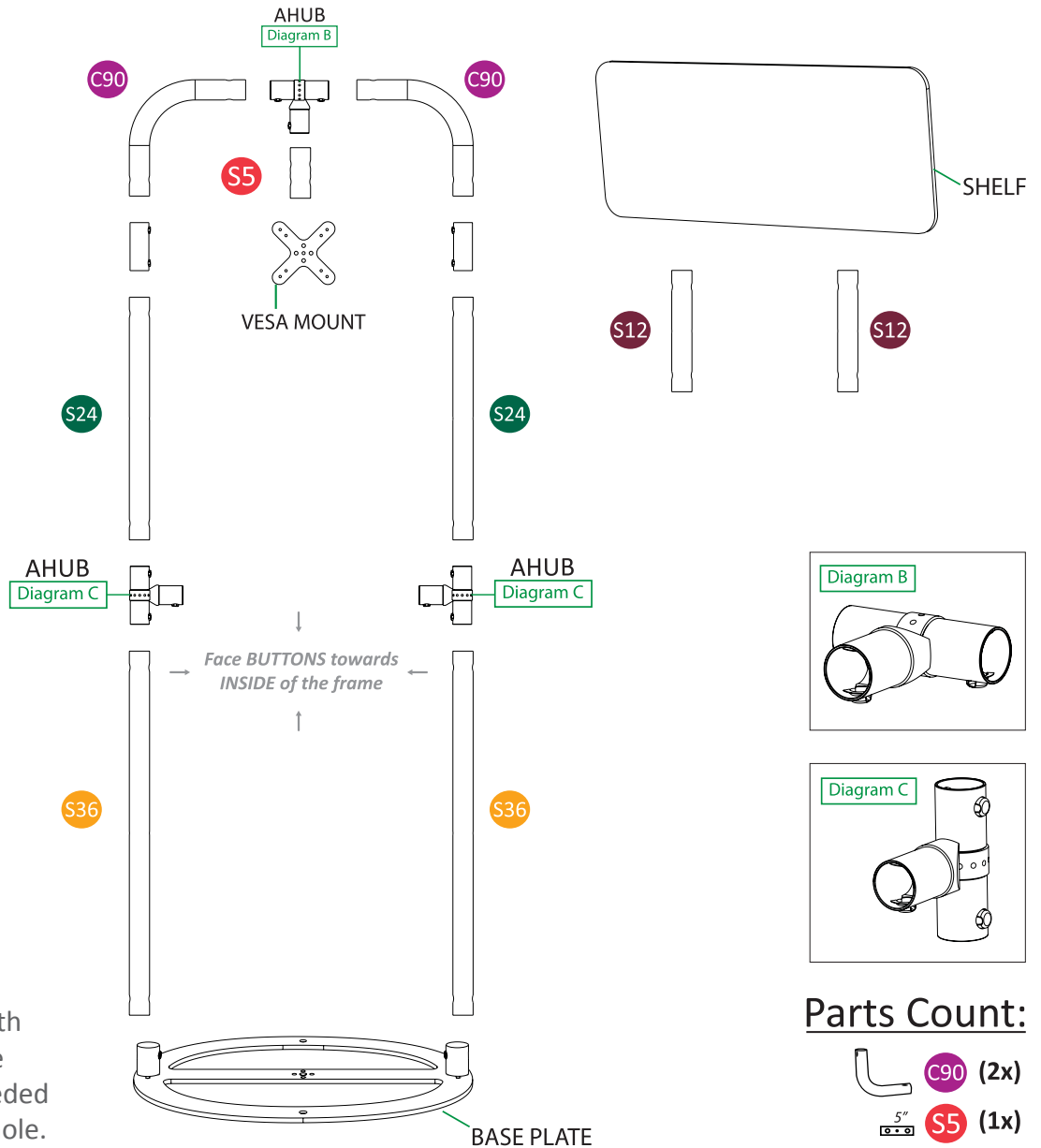
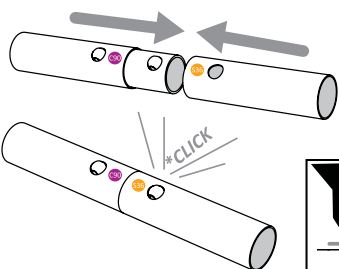



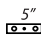
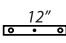
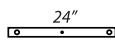
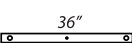
**STEP 1.** Layout all the parts on the floor in this form. Assembly of the tubes will be flat on the floor. Then stand the frame up to snap onto the base. The S5, VESA Mount, S12s and Shelf are attached after the graphic is installed.



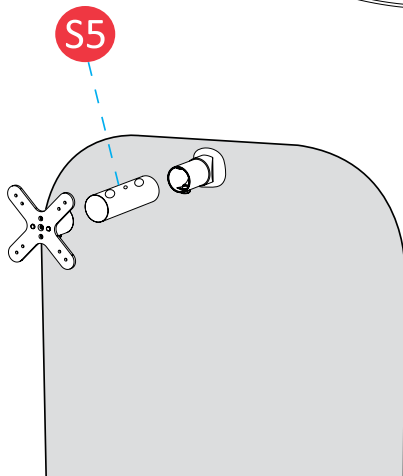
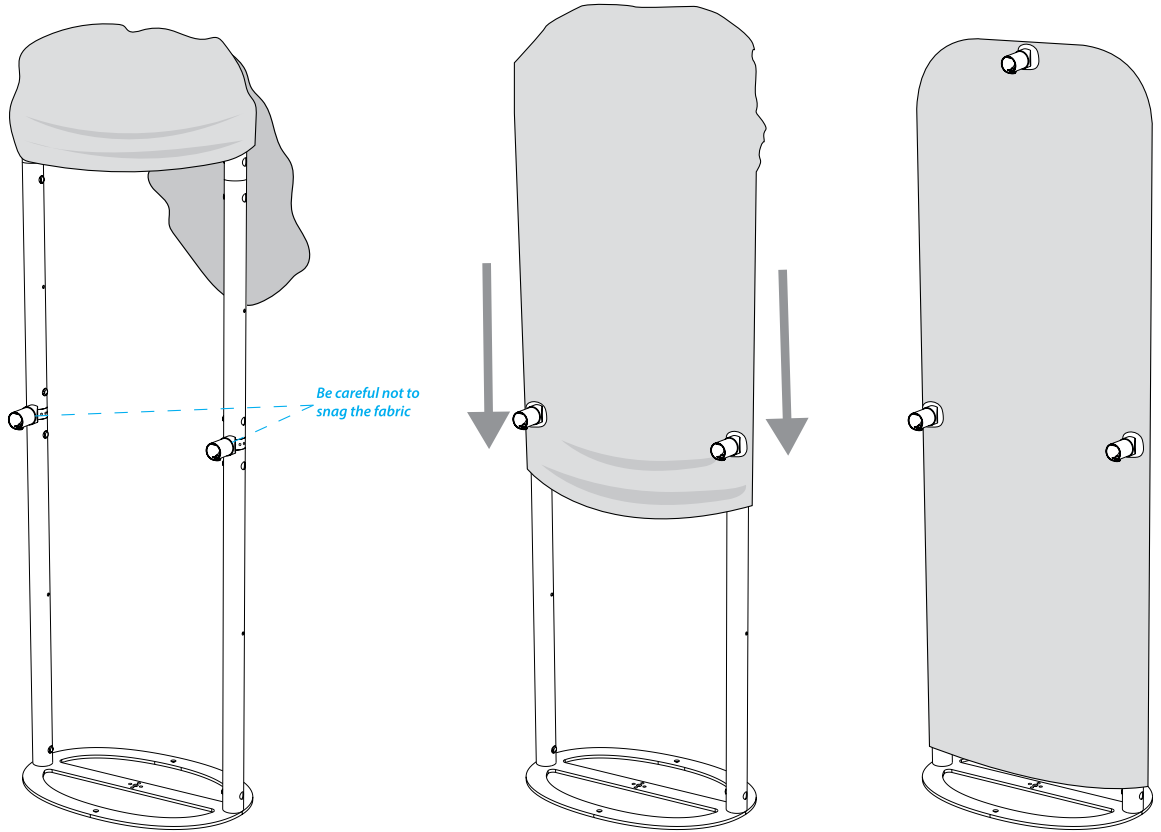
**STEP 2.** Push the button with your thumb while sliding the tubes together. Twist as needed to click the button into the hole.



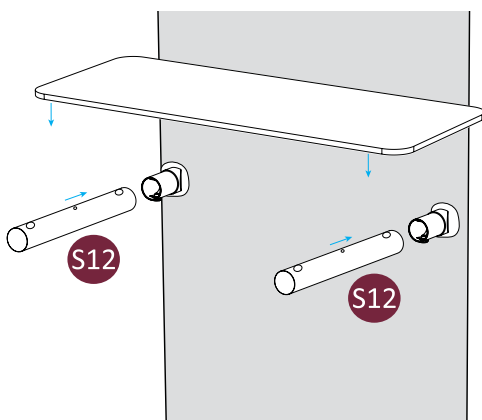
**Parts Count:**

-  C90 (2x)
-  S5 (1x)
-  S12 (2x)
-  S24 (2x)
-  S36 (2x)
- Diagram B (1x)
- Diagram C (2x)
- SHELF (1x)
- BASE PLATE (1x)

**STEP 3.** To install the graphic, slide it over the top and pull downward from the sides to reach the bottom. Be careful not to snag the fabric on the shelf or top connectors.



**STEP 4.** Install the VESA Mount. It may be easier to screw the VESA to your monitor or tablet first. If you ordered a tablet enclosure, it may already be attached to the VESA Mount.



**STEP 5.** Install the (2) S12 shelf supports. The bottom of the shelf has rubber tabs that align with the holes in the S12 supports. Velcro is used for extra support.

