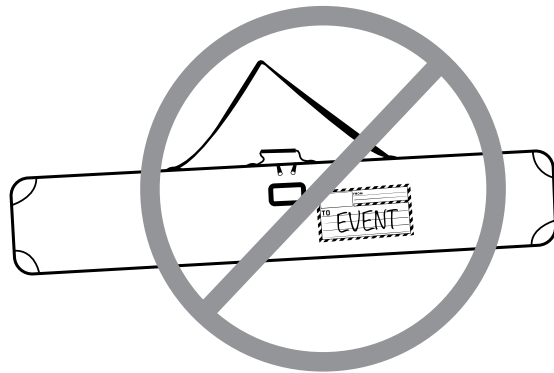
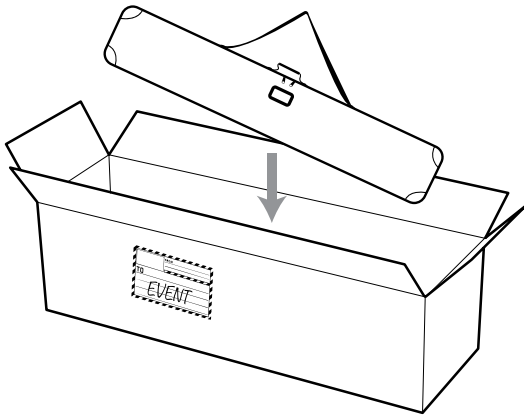


Congratulations on the purchase of your new portable display. With little to no maintenance your portable display should perform like new for a long time. Take a minute to read your display's set-up instructions. It is also a good idea to set your display up for practice before your event begins. If your instructions are misplaced, you can view and download a PDF from the online catalog. Just visit PosterGarden.com, navigate to the specific display product, and under the tab "Instructions" you'll locate the PDF.

SHIPPING: Will you be shipping, or checking your display as baggage, to arrive at your next event? We recommend using a strong cardboard box, or Hard Case shipping container, with proper cushioning material to help fill the space inside. This is the only way to insure your displays will be protected during shipping, or as checked baggage. Your display may have come in a Soft Carrying Bag. These are ideal for carrying and storage of your display. If shipped in the Soft Carry Bag alone, the bag could tear and your display could suffer damage beyond repair. Visit PosterGarden.com, or call your Project Manager for more info on shipping methods and Hard Case options.



CLEANING: Maybe after some use your display could benefit from a cleaning. In most cases, a damp paper towel or cloth can clean up your display hardware, and some graphics. For fabric graphics (Ecoweave, Ekoknit, Waterfall, Polysilk) a detergent pen could be used for most small stains. For wrinkles, use a portable steamer when setting-up for a crisp look. For film graphics (Terrapro, 10mil Lexan, 20mil Lexan) if a damp towel didn't do the trick, you could try a little rubbing alcohol (Isopropyl) to clean stubborn stains. Visit PosterGarden.com or call your Project Manager if more assistance is required.

HOW TO CLEAN YOUR DISPLAY:



TERRAPRO / 10mil LEXAN / 20mil LEXAN



HARDWARE



ECOWEAVE / EOKNIT / POLYSILK / WATERFALL

