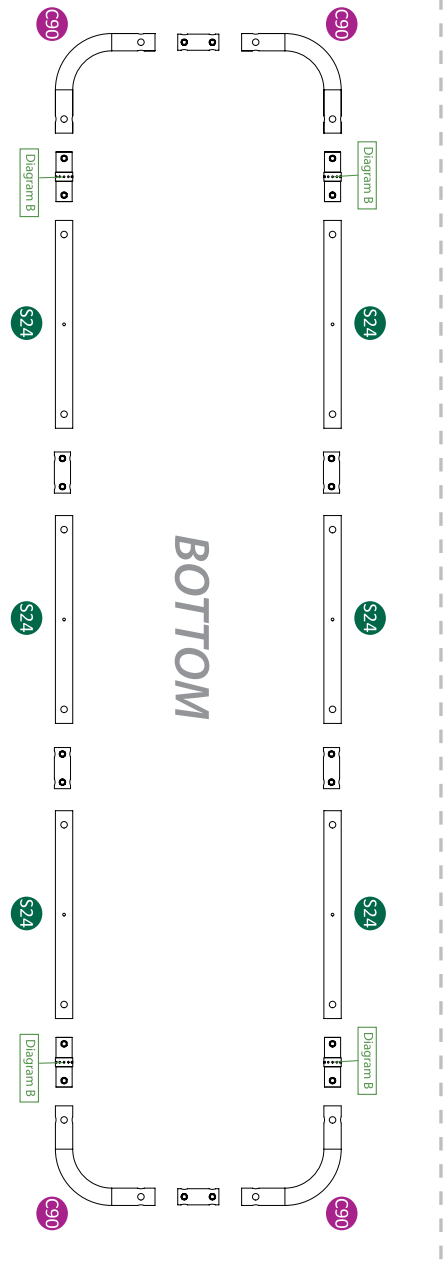
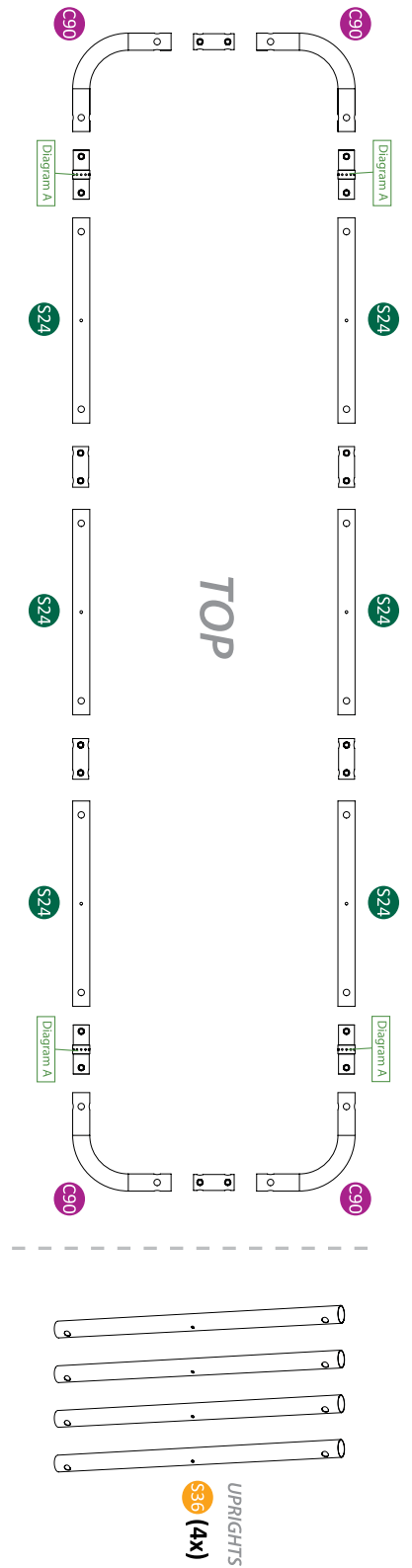

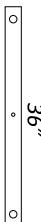







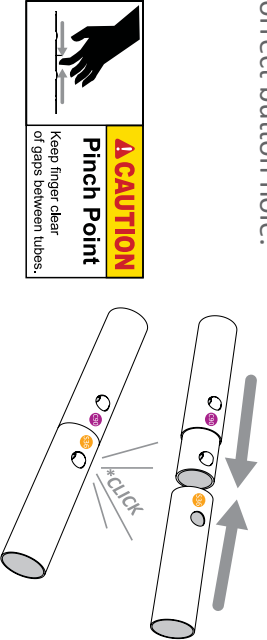
STEP 1. Layout all the parts on the floor in this form. 3 Sections: TOP, BOTTOM and UPRIGHTS



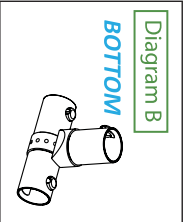
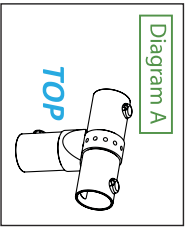
Parts Count:

-  **C90 (8x)**
-  **S36 (4x)**
-  **S24 (12x)**
-  **Diagram A (4x)**
-  **Diagram B (4x)**
-  **(3x)**
-  **(2x)**

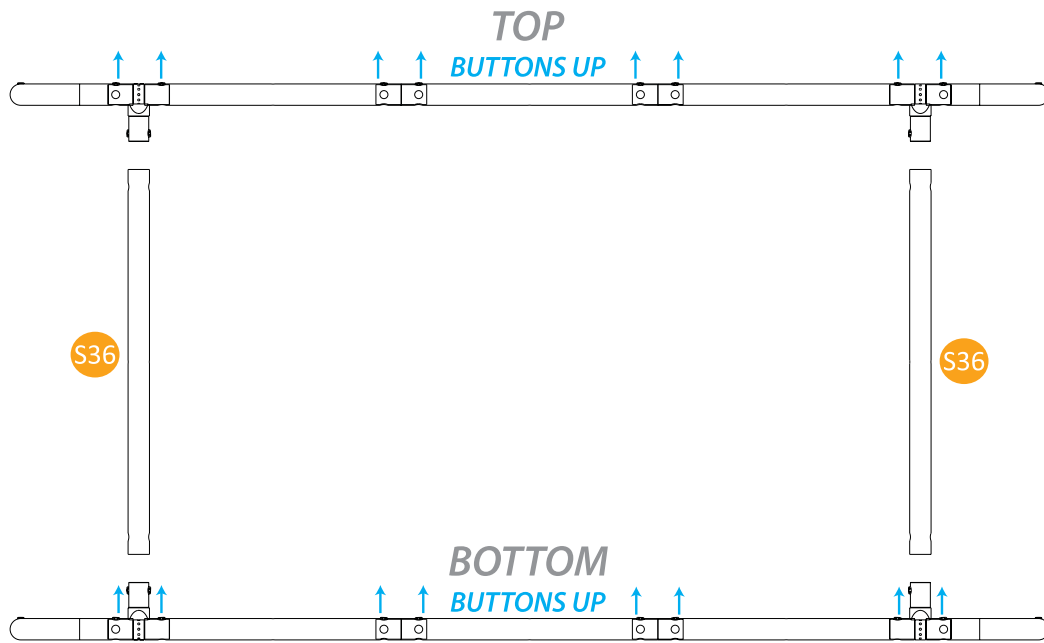
STEP 2. Snap together the TOP and BOTTOM Sections. Push the button with your thumb while sliding the tubes together. Twist as needed to click the button into the hole. Some buttons may already be inserted into one end of each tube. Note the difference between DIAGRAM A and DIAGRAM B for the TOP and BOTTOM sections. Stickers are next to the correct button hole.



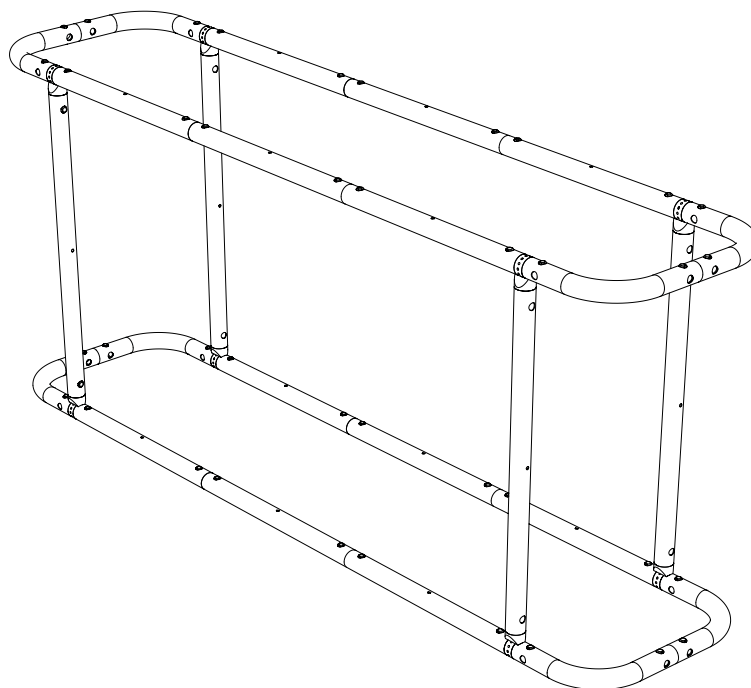
CAUTION
Pinch Point
Keep fingers clear of gaps between tubes.



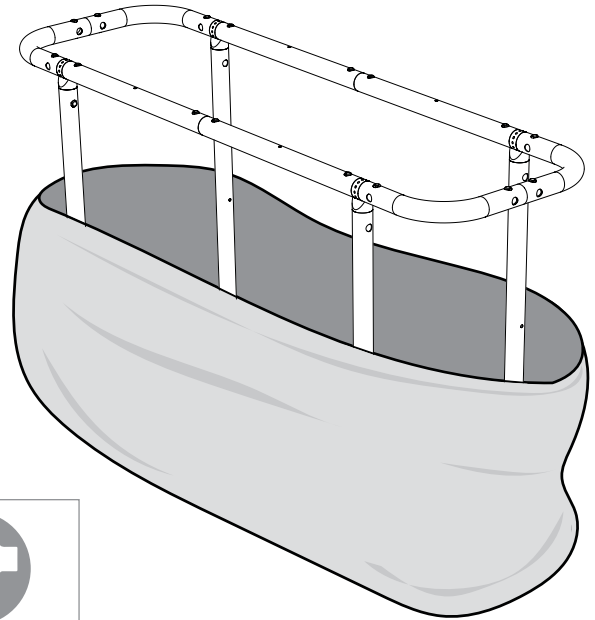
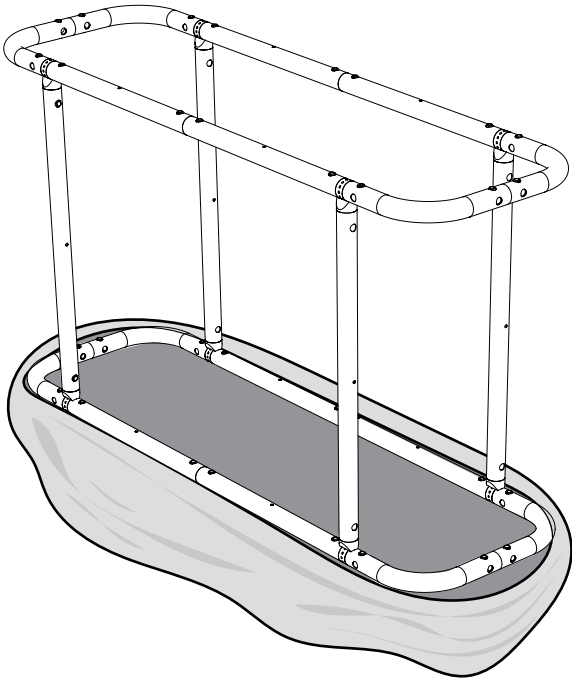
STEP 3. Attached the 4 S36 UPRIGHTS into the BOTTOM. Position and snap the TOP into the S36 UPRIGHTS. The frame is complete.



ASSEMBLED FRAME



STEP 4. Fit the base of the frame into the opening of the graphic. When the frame aligns with the fabric, begin pulling the graphic up to the top.



STEP 5. Pull the elastic graphic over the top of the frame. Slide the graphic as needed to straighten the front and back. Place the counter tops in position. The buttons will align with the holes in the counter tops. The split will run from front to back.

