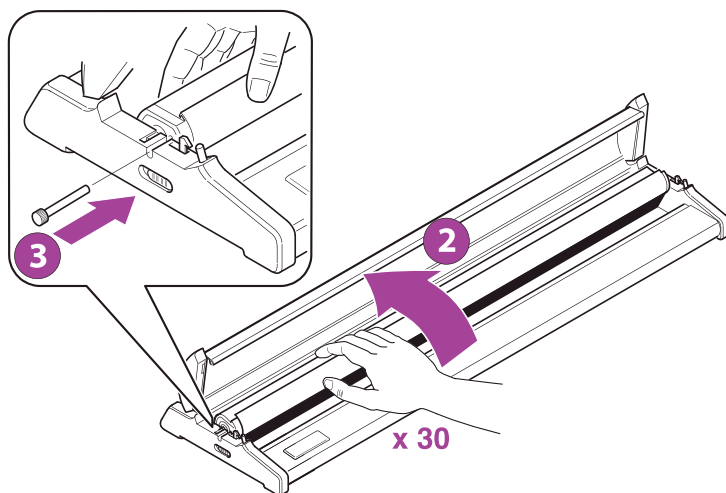
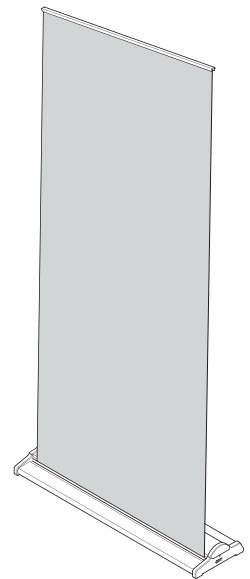


### SETUP INSTRUCTIONS

Step 1: Insert telescoping (A) into cup (B) on base.

Step 2: Pull graphic up and attached to plastic tip on top of pole (C). Loosen locks (D) and extend pole. Re-lock when in extended position.

### ASSEMBLED VIEW



### ROLLER TENSION INSTRUCTIONS

Step 1: Remove the graphic from the graphic roller.

Step 2: Place graphic roller into the stand and rotate the roller back 30 times. Keep a firm grip to avoid losing the built-up tension.

Step 3: Insert locking pin into the hole on the side of the roller. This will lock the roller and it's now OK to remove the roller and replace the graphic.