

FABRIC INSTRUCTIONS

Step 1: You can remove the extra adhesive below the Plastic Graphic Strip. It is not needed.

Step 2: With an industrial sewing machine, stitch the Plastic Graphic Strip to the BACK of the banner.

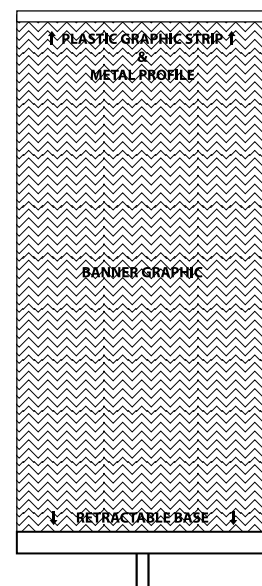
Step 3: Slide the Metal Profile into position.

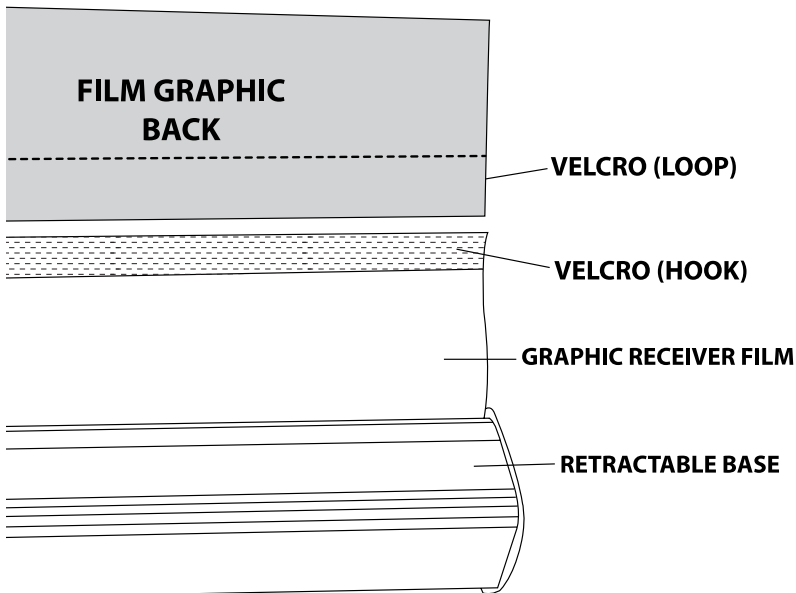
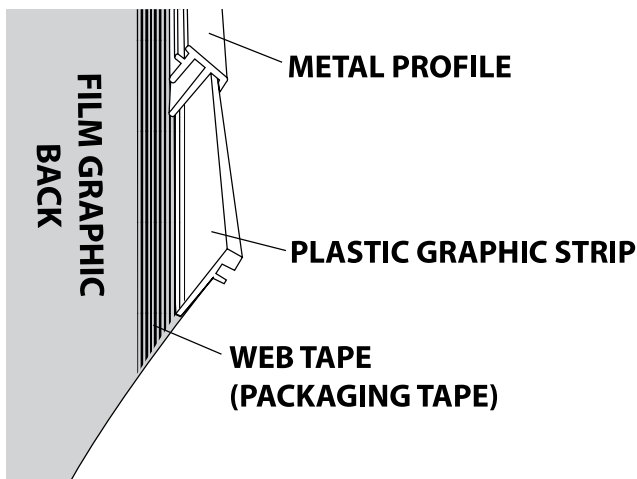
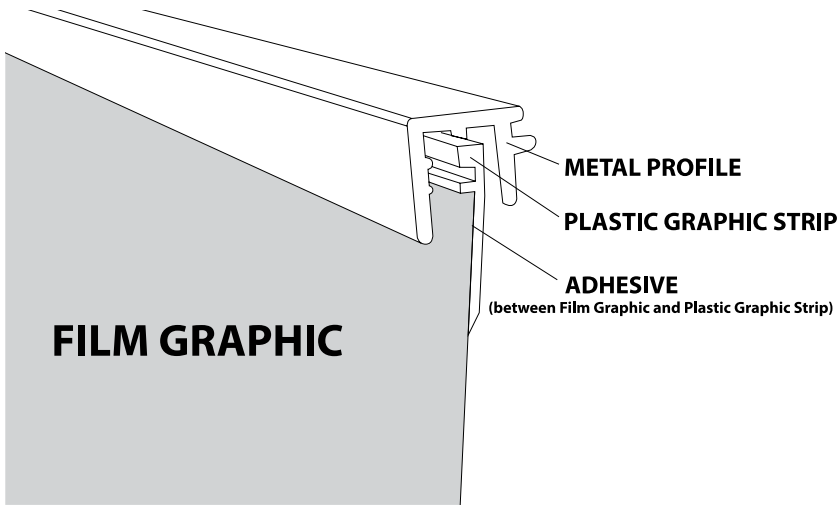
Step 4: On the bottom of the banner, sew on a strip of Velcro (loop side) onto the FRONT of the banner.

Step 5: The bottom of the banner is attached to the Graphic Receiver Film using Velcro (hook side) that is attached with adhesive.

Step 6: Attach the Velcro from one side to the other, making sure that the banner is straight.

Step 7: Carefully hold the graphic while removing the Tension Pin. If you do not hold the graphic, damage could occur when the pin is removed. Slowly retract the banner into the Retractable Base.





FILM INSTRUCTIONS

Step 1: Starting at the top of the banner, attach the Plastic Graphic Strip to the **BACK** of the banner using the adhesive. It is easiest to work one side to the other, several inches at a time.

Step 2: Use Web Tape (packaging tape) on the **BACK** of the banner. Place it 1 inch from the top so it will not interfere with the Metal Profile.

Step 3: Slide the Metal Profile into position.

Step 4: The bottom of the banner is attached to the Graphic Receiver Film using the Adhesive Tape on the **FRONT** of the banner. It is easiest to work one side to the other, several inches at a time.

Step 5: Use Web Tape (packaging tape) on the **BACK** of the banner. Cover the edge of the banner bottom to protect the bottom edge.

Step 6: Carefully hold the graphic while removing the Tension Pin. If you do not hold the graphic, damage could occur when the pin is removed. Slowly retract the banner into the Retractable Base.

