

FRAME ASSEMBLY



STEP 1. Expand the frame open. The adjustable knobs should be on the floor.



STEP 2. Snap together frame clips. It is very important un-clip these when disassembling the frame.



STEP 3. Begin installing the graphic channel bars. Align the corners for positioning.



STEP 4. Snap the graphic channel bars onto the frame post.

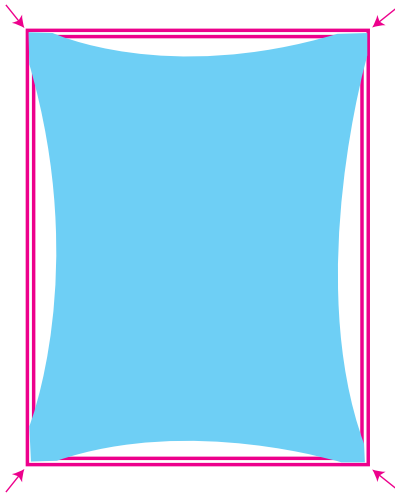


STEP 5. Attach the short corner graphic channel bars.

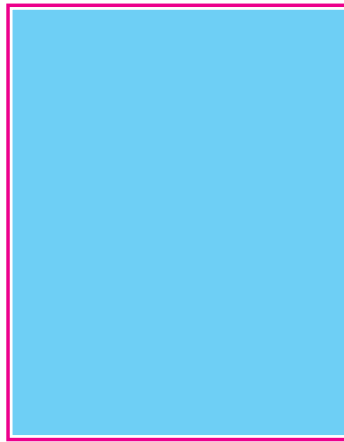
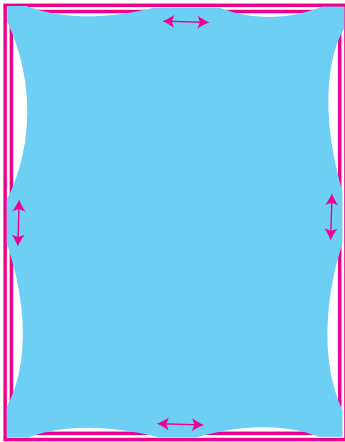


The frame is now ready for graphics.

GRAPHICS INSTALLATION



STEP 1. With larger displays, it may be easier to install with the frame laying flat on the floor. Begin in the corners. Insert about 10 inches of the silicone into the graphic channel. The graphic is partially inserted with the silicone strip. If your display has endcaps, begin on the sides first.



STEP 2. Tuck in the middle section along the top, bottom and sides. Continue to tuck in more sections, straighten and aligning along the way. If a section is bunching up, remove a small section around it and tuck in again to distribute tension.



Front + Seperate endcaps



Front + 2 endcaps



Back

VARIATIONS FOR GRAPHICS OR BLOCKOUT FABRIC

LED LIGHTS INSTALLATION



STEP 1. Remove the Velcro, and turn the hooks into position. Keep the velcro for when you pack up your display.



STEP 2. The "UP" sticker will point to the top of the frame. Face the lights to the front where the graphic will attach. Hook the top of the lights, then the bottom to the frame. There is a spring on each hook to help tension the lights in place.



STEP 3. Each row, from top to bottom, are chained together with the power cords. 4 light section max. If your display has 4 columns of lights, you will use 4 power supplies.

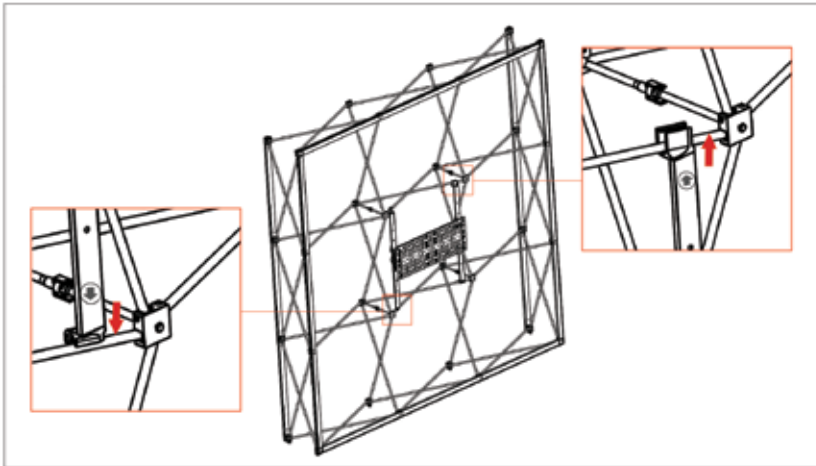
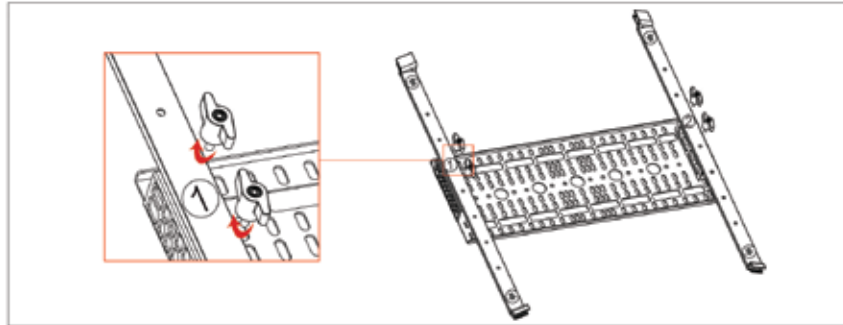
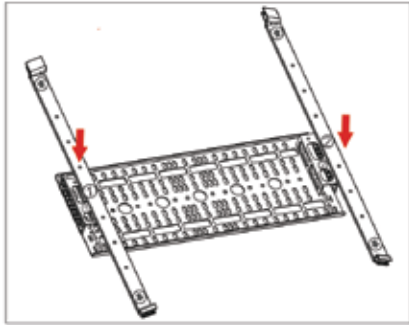


STEP 4. Connect the power supply of at the bottom of each row of lights.

ACCESSORY INSTALLATION



STABILIZER FOOT. The frame has adjustable knobs on the bottom. The Stabilizer Foot can be added to help taller displays, or hold extra weight. Position the adjustable knob into the opening on the top of the foot. Then slide the foot into position with the knob inside the foot.



SHELF. Attach the back plate to the frame supports with thumb screws, 2 on each support. Attach the supports onto the frame top first, then the bottom. Now the graphic can be installed. Then the shelf brackets and shelf can be installed.

