

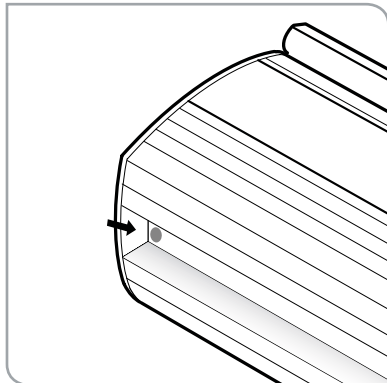
INSTRUCTIONS

Step 1: To release graphic tension, push gray button located on left side of base, inside designated pole storage area.

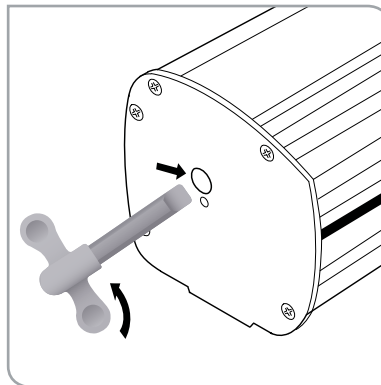
Step 2: To re tension graphic, insert "T" shaped key into circular hole on left side of base. Turn key counter clockwise to increase tension.

Step 3: To stop graphic from recoiling when changing out graphics, insert "I" shaped key into hexagon hole on right side of base.

1.



2.



3.

