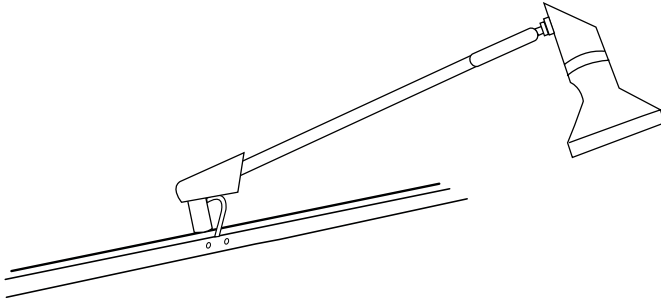


(1)



### SETUP INSTRUCTIONS

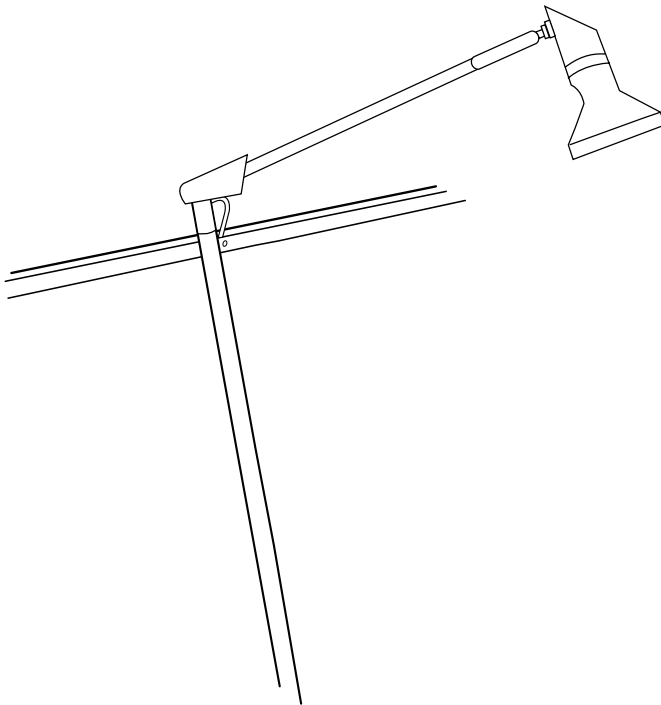
**Step 1:** Attach hook on top of graphic into hole in light.

**Step 2:** Insert light into hole on top of pole.

**Step 3:** Insert pole into hole in stand.

Note: To disassemble stand, follow steps in reverse order.

(2)



(3)

