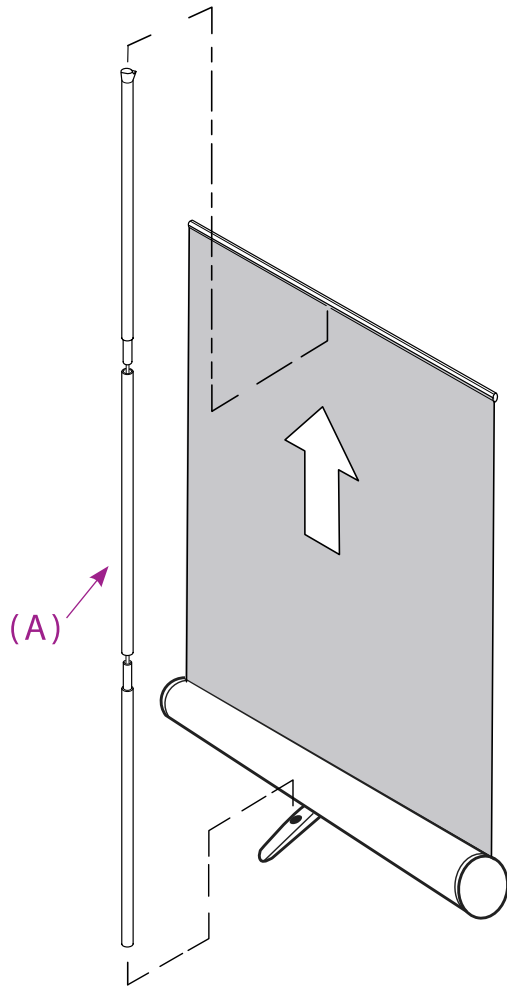


SETUP INSTRUCTIONS

Step 1: Remove three part pole (A) and Simple Rollup base from bag. Swing the foot (F) 90° into position.

Step 2: Insert Three Part Pole (A) into pole adapter in the foot of the base. Raise top profile out of base and attach plastic clip on top of the three part pole (A).

Note: If necessary to reach the top of the pole, lean the entire stand backwards until you can reach it.



ASSEMBLED VIEW

